



# DIONE TROLLEY

Trolley in white laminate with curved sides,  
laminated top available  
in the Nilo wood finishes.

Swivel castors 2 with brake and 2 free

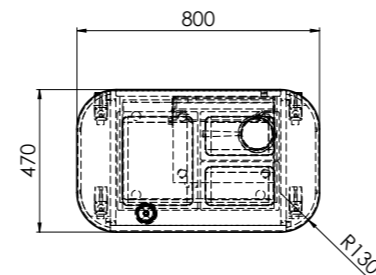
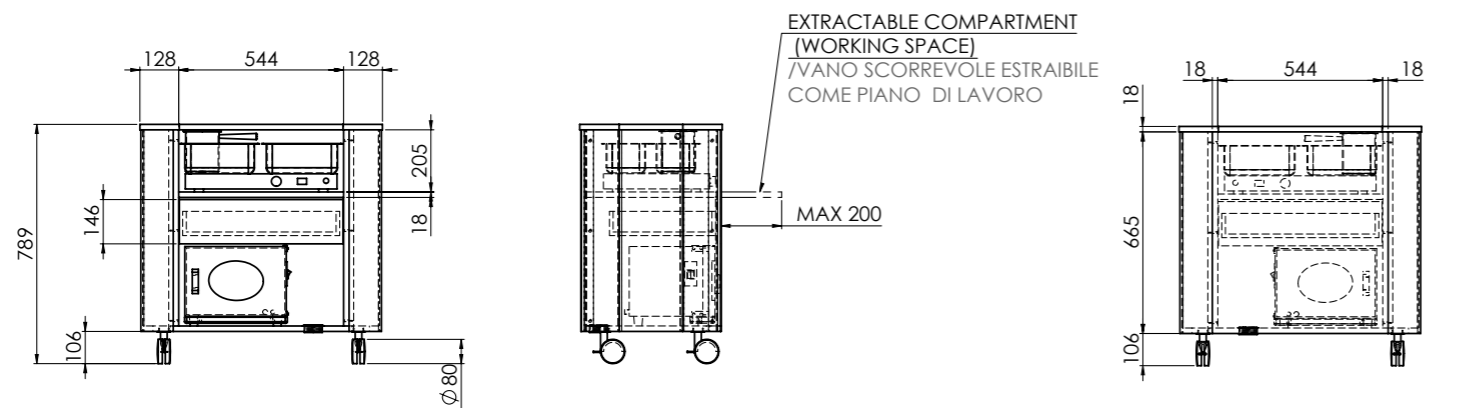
- 1 storage compartment
- 1 extractable compartment (200mm) for work areas
- 1 drawer on roller guides.



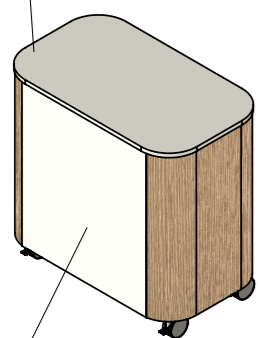


## TECHNICAL SPECIFICATION

MEASUREMENTS	→ 47 x 80 x 79 CM - KG 20
PACKAGING	BOX → 91 x 50 x 76 - 22 KG

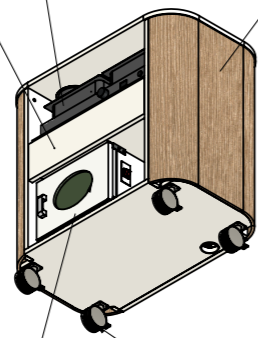


MELAMINE TOP IN NILO WOOD FINISHES  
/TOP IN NOBILITATO NELLE FINITURE NILO



FIXED SIDES  
WHITE 411 MELAMINE  
/SPONDE FISSE IN LAMINATO  
BIANCO 411

DRAWER  
ON ROLLER GUIDES  
/CASSETTO  
SU GUIDE RULLI



SMALL  
STERILIZER COMPARTMENT  
/VANO PER STERILIZZATORE  
PICCOLO

STOVE COMPARTMENT ON SLIDING SHELF  
/VANO PER FORNELLO SU PIANO ESTRAIBILE

CURVED SIDES  
/FIANCHI CURVATI

WHEELS/RUOTE: D80 EMUCA COD.2037921  
N°2 WITH BRAKES/CON FRENO  
N°2 WITHOUT BRAKES/SENZA FRENO

NOTE: PACK WITH DISASSEMBLED WHEELS, SCREWS AND  
SCREWDRIVER FOR THE CORRECT ASSEMBLY  
NOTA: FORNIRE IMBALLATO COMPLETO DI RUOTE SMONTATE,  
VITI E GIRAVITE PER IL MONTAGGIO