

visit the website



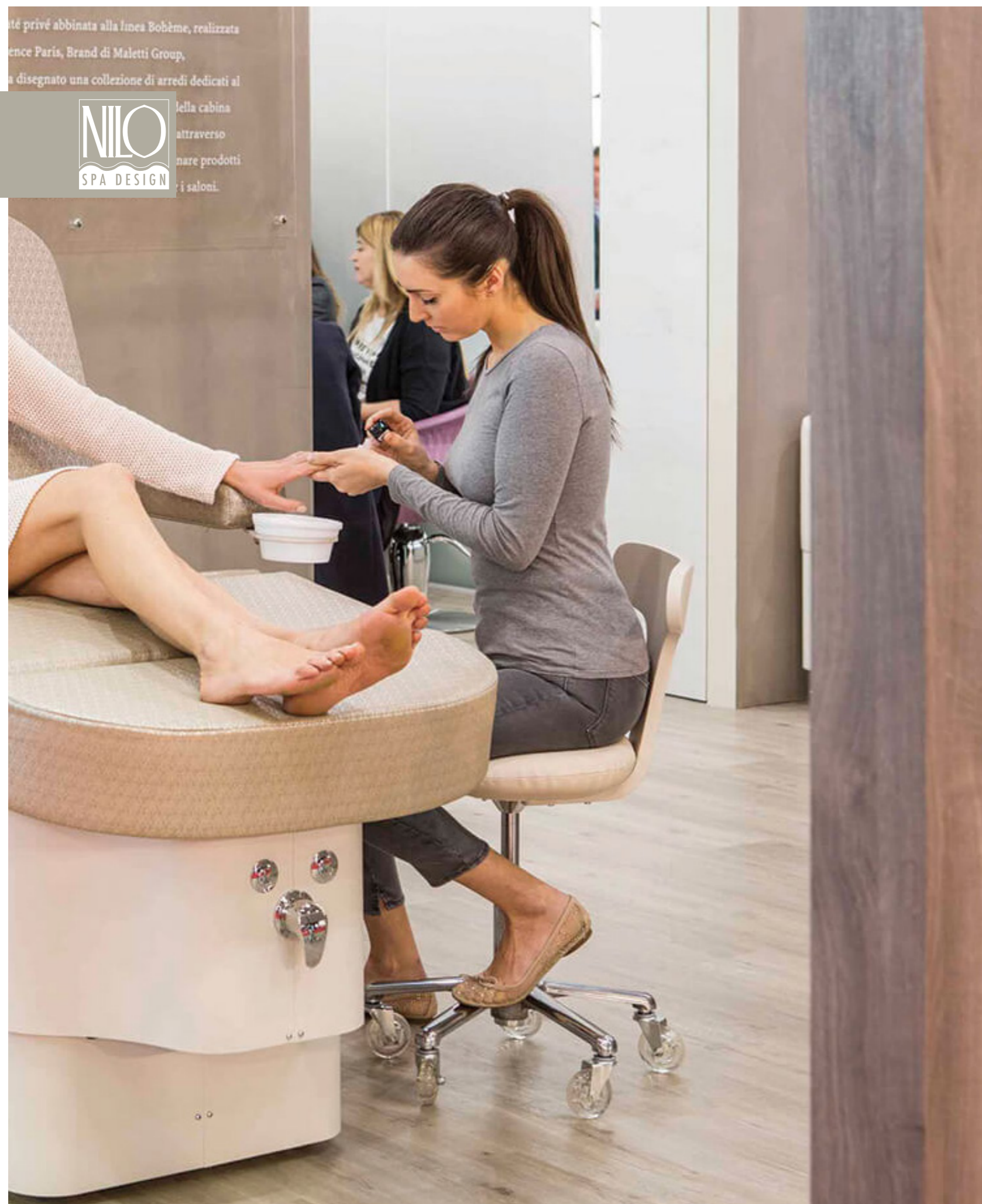
ALOE PODO STOOL

design by GIOVANNONI DESIGN

Stool with castors and seat upholstered in Soft PVC
 Backrest with rounded corners.
 Base an aluminum. Standard black wheels.
 Height adjustable with gas pump,
 lower height for pedicure treatments



The information contained in this technical document is correct and accurate to the best of our knowledge, and should therefore be considered reliable. In any case, they cannot imply a guarantee on our part, as certain factors such as the working of the products, are outside our strict control. It is responsibility of the user to verify the suitability of the products for the specific use, as well as the precise and accurate installation in accordance with the guide-lines provided within the instruction manual and according to the current regulation regarding the purpose of the business activity. It should be noted that the packages indicated may vary due to the production efficiency improvement. This document replaces all previous versions. For further information it is recommended to contact our sales department.



NIO
SPA DESIGN

été privé abbinata alla linea Bohème, realizzata
 ence Paris, Brand di Maletti Group,
 a disegnato una collezione di arredi dedicati al
 della cabina
 attraverso
 nare prodotti
 i saloni.

ALOE PODO STOOL N8533P

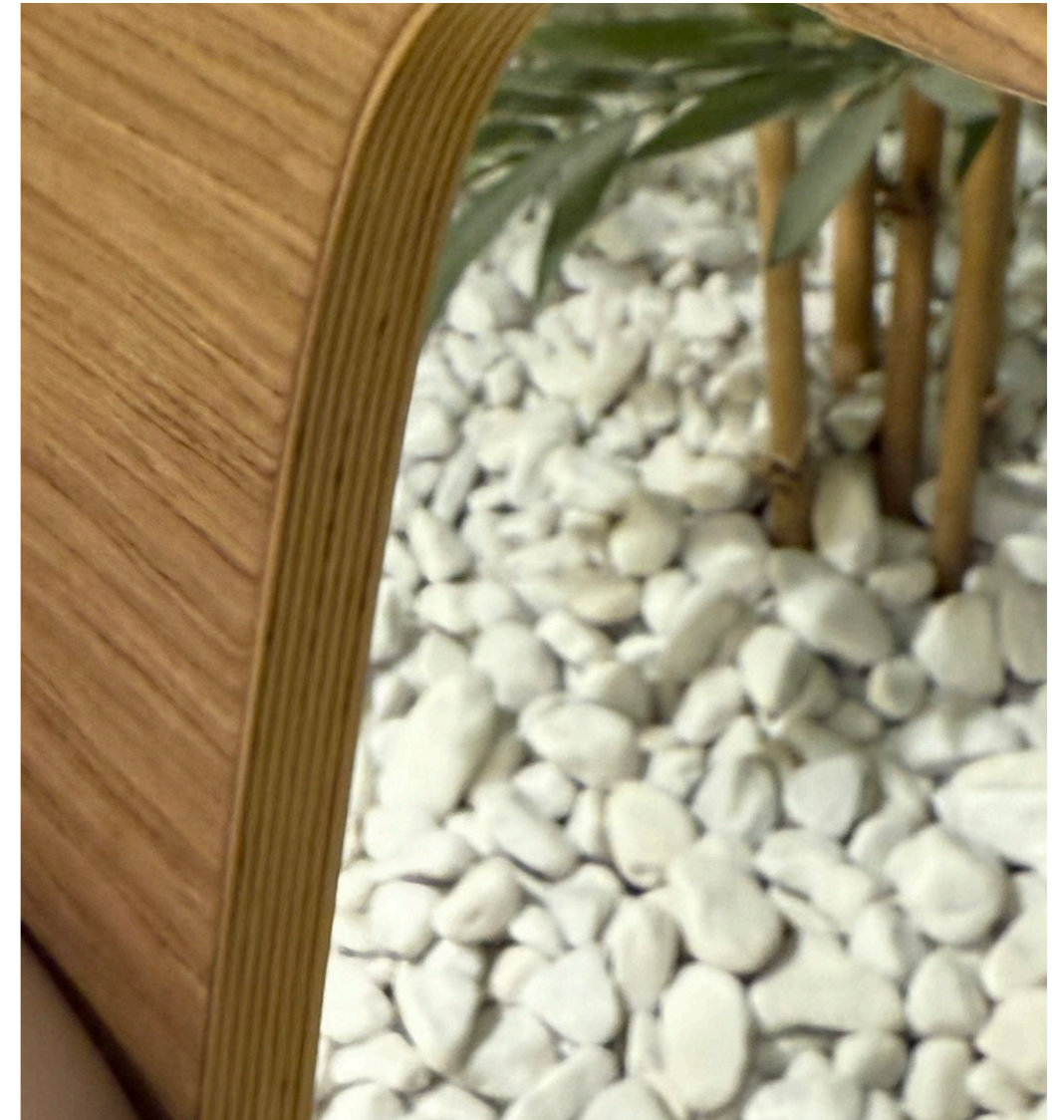
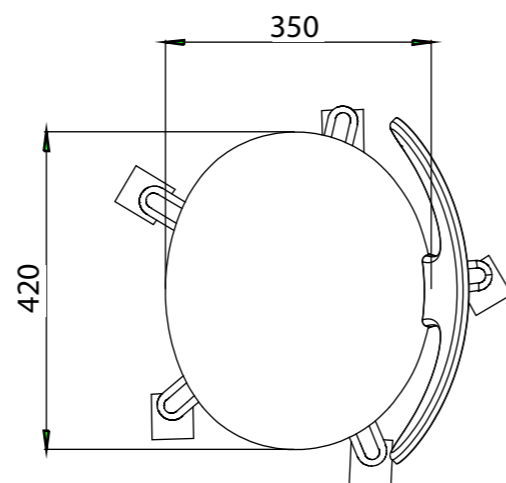
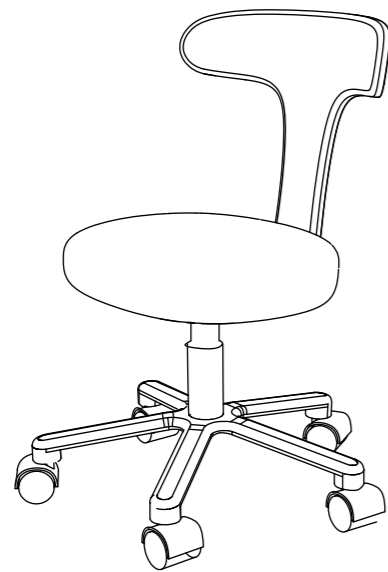
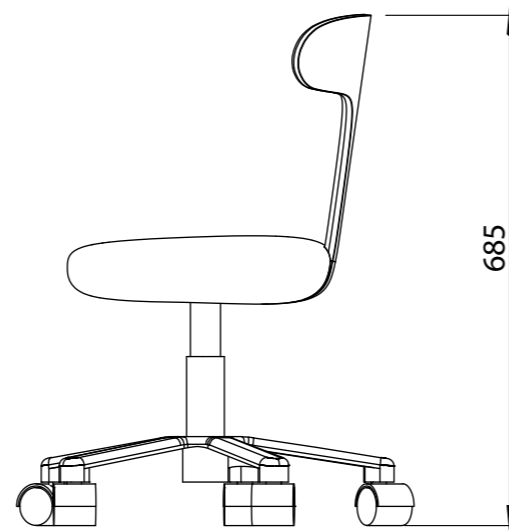
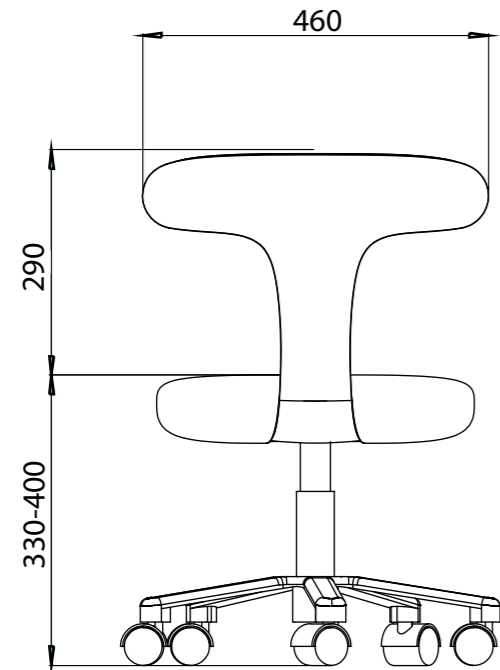
Stool with castors and seat upholstered in Soft PVC.
Wooden backrest with rounded corners.



Skay and Woods



Patents and Certifications



TECHNICAL SPECIFICATION		
UPHOLSTERY	SKAY PVC NILO	
OPTIONAL	AVAILABLE	NOT AVAILABLE
SPPEDY SILICON WEELS	*	
MEASUREMENT		
MAXIMUM LOAD CAPACITY	120 KG	
MEASUREMENTS	→ 46 ↖ 35 ↑ SEAT 33/40 - 7 KG	
PACKAGING	WOOD PACKAGE → 55 ↖ 55 ↑ 85 - 9KG	