



visit the website



ACACIA TROLLEY

design by GIOVANNONI DESIGN

Trolley with castors and white screen-printed tempered glass top,
frame with rounded corners, 2 storage compartment included.

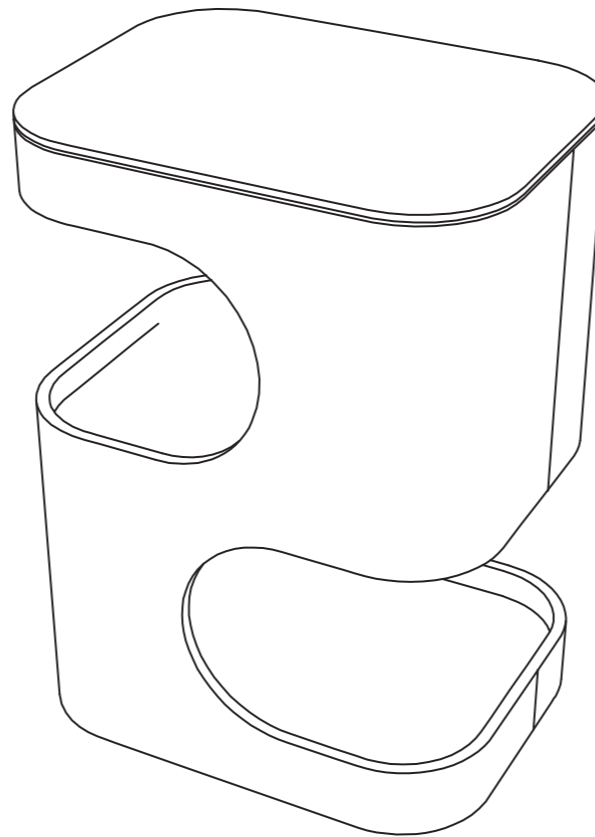
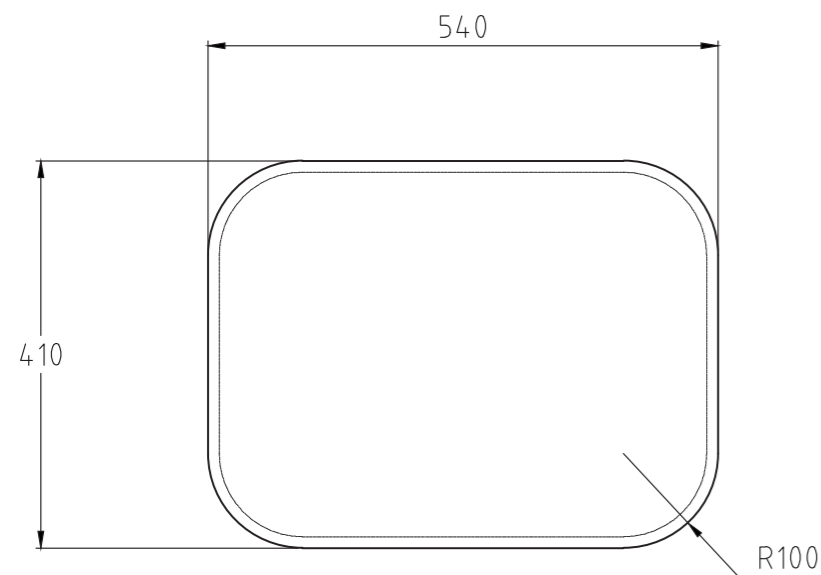
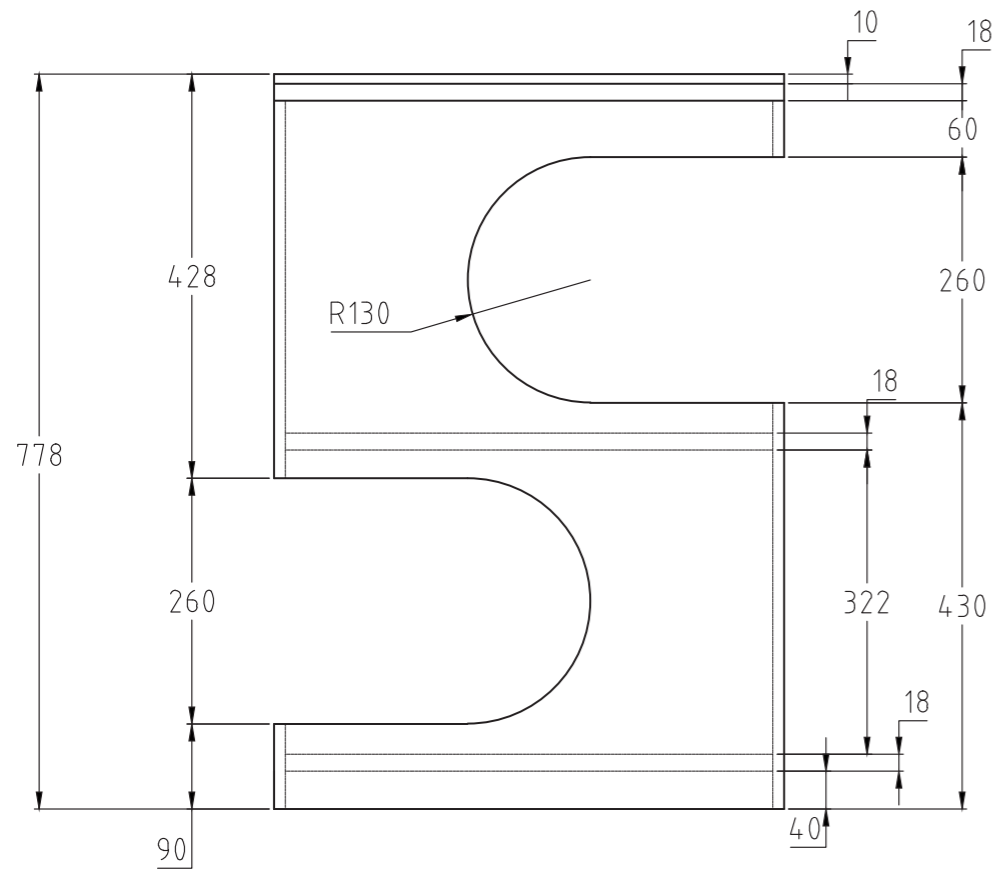




Skay and Woods



Patents and Certifications



TECHNICAL SPECIFICATION	
MEASUREMENTS	→ 54 × 41 ↑ 78 CM - 21 KG
PACKAGING	WOOD PACKAGING → 47 × 60 ↑ 85 CM - 51 KG

